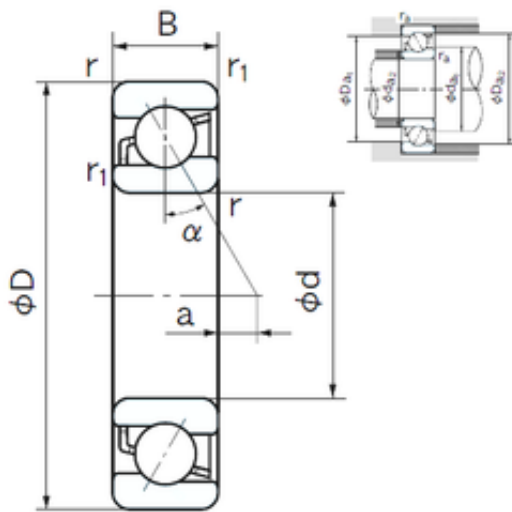




LINEAR BEARINGS CO.,LTD



85 mm x 180 mm x 41 mm NACHI 7317 angular contact ball bearings

Bearing No. 7317

7317 Bearing 2D drawings and 3D CAD models

Size	85x180x41 mm
Bore Diameter	85 mm
Outer Diameter	180 mm
Width	41 mm
d	85 mm
D	180 mm
B	41 mm
C	41 mm
Angle (°)	30 °
a	17.7 mm
r min.	3 mm
r1 min.	1.1 mm
da min.	99 mm
Da max.	166 mm
ra max.	2.5 mm
Weight	4.90 Kg
Basic dynamic load rating (C)	159 kN
Basic static load rating (C0)	133 kN
(Grease) Lubrication Speed	3400 r/min
Configuration	Single Row
Enclosure	Open
Bore Type	Cylindrical Bore
Bore Size	85 mm
Outside Diameter	180 mm
Width	41 mm



LINEAR BEARINGS CO.,LTD

Fillet Radius/Chamfer	3 mm
r1	1.1 mm
Dynamic Load Rating	159,000 N
Static Load Rating	133,000 N
Limiting Speed - Grease	3,400 rpm
Limiting Speed - Oil	4,500 rpm
da1 (min)	99 mm
da2 (min)	92 mm
Da1 (max)	166 mm
Da2 (max)	173 mm
ra (max)	2.5 mm
ra1 (max)	1 mm