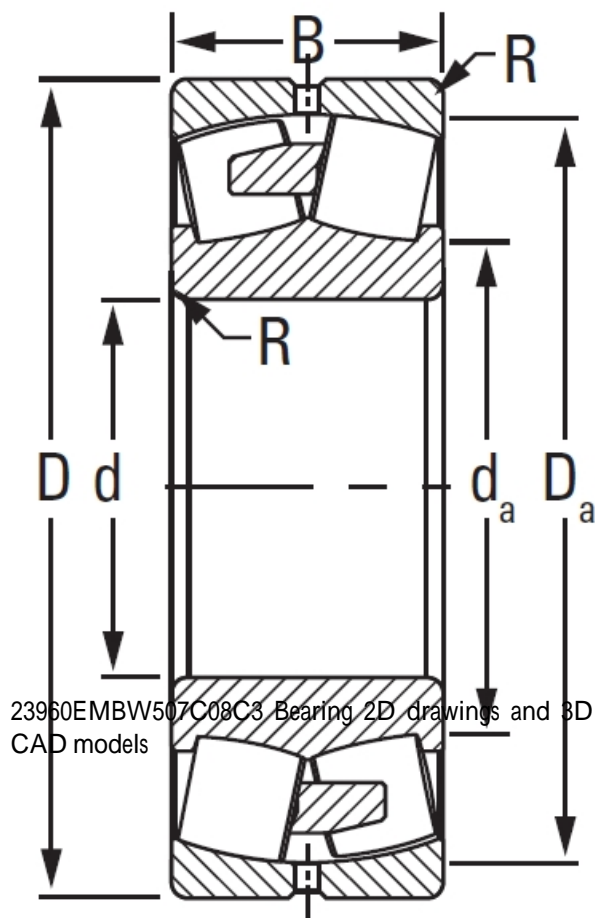




# LINEAR BEARINGS CO.,LTD

## 23960EMBW507C08C3 TIMKEN Cylindrical Roller Bearings-Inner Ring

Bearing No. 23960EMBW507C08C3



23960EMBW507C08C3 Bearing 2D drawings and 3D CAD models

Design Unit	METRIC
Bearing Weight	38.400 Kg
Cage Type	EMB
UPC Code	087796032286
Cage Material	Brass
Superseded Part	23960YMBW507C08C3
d	300.000 mm
D	420 mm
B - Inner Ring Width	90 mm
B - Outer Ring Width	90 mm
R - Inner Ring To Clear Radius <sup>1</sup>	2.500 mm
r - Outer Ring To Clear Radius <sup>2</sup>	2.500 mm
da - Inner Ring Backing Diameter	328.000 mm
Da - Outer Ring Backing Diameter	394.000 mm
C0 - Static Radial Rating	2630000 N
C1(2) - Dynamic Radial Rating (Two-Rows)	1570000 N
e - ISO Factor <sup>3</sup>	0.19
Y0 - ISO Factor <sup>4</sup>	3.59
Y1 - ISO Factor <sup>5</sup>	5.34
Y2 - ISO Factor <sup>6</sup>	3.51
Reference Thermal Speed Rating (Grease)	970



## LINEAR BEARINGS CO.,LTD

Reference Thermal Speed Rating (Oil) <sup>7</sup>	1200
Cg - Geometry Factor <sup>8</sup>	0.1211