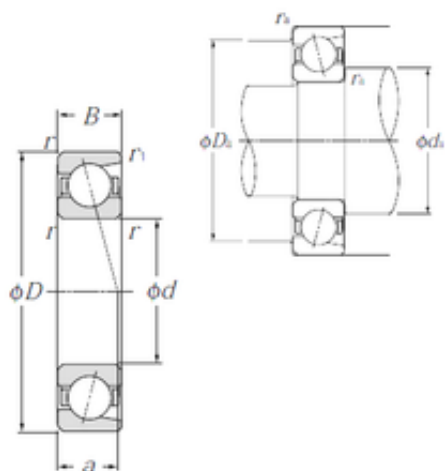




LINEAR BEARINGS CO.,LTD

35 mm x 47 mm x 7 mm NTN 7807C angular contact ball bearings



Bearing No. 7807C

Size	35x47x7 mm
Bore Diameter	35 mm
Outer Diameter	47 mm
Width	7 mm
d	35 mm
D	47 mm
B	7 mm
C	7 mm
Angle (°)	15 °
a	9 mm
r min.	0,3 mm
r1 min.	0,15 mm
Weight	0,028 Kg
Basic dynamic load rating (C)	5,8 kN
Basic static load rating (C0)	5,25 kN
(Grease) Lubrication Speed	20 000 r/min
(Oil) Lubrication Speed	27 000 r/min

7807C Bearing 2D drawings and 3D CAD models