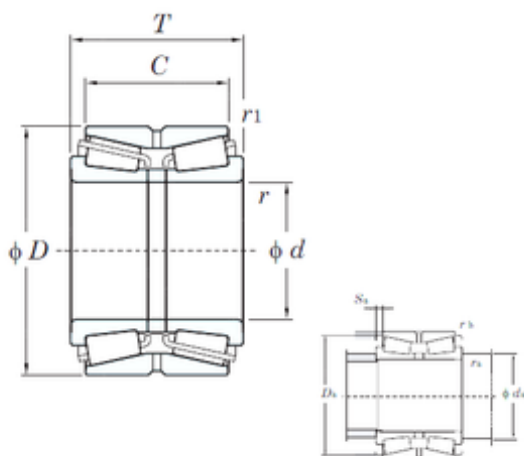




LINEAR BEARINGS CO.,LTD



KOYO 46348A tapered roller bearings

Bearing No. 46348A

| | |
|-------------------------------|----------------|
| Size | 240x400x160 mm |
| Bore Diameter | 240 mm |
| Outer Diameter | 400 mm |
| Width | 160 mm |
| d | 240 mm |
| D | 400 mm |
| T | 160 mm |
| C | 128 mm |
| r min. | 5 mm |
| r1 min. | 1,5 mm |
| da min. | 262 mm |
| Da min | 373 mm |
| ra max. | 4 mm |
| rb max. | 1,5 mm |
| Weight | 76,2 Kg |
| Basic dynamic load rating (C) | 1540 kN |
| Basic static load rating (C0) | 3060 kN |
| (Grease) Lubrication Speed | 630 r/min |
| (Oil) Lubrication Speed | 850 r/min |
| Calculation factor (e) | 0,35 |
| Calculation factor (Y0) | 1,91 |
| Bearing No. | 46348A |
| r(min) | 5 |
| r1(min) | 1.5 |
| Cr | 1940 |
| C0r | 3060 |

46348A Bearing 2D drawings and 3D CAD models



LINEAR BEARINGS CO.,LTD

| | |
|------------------|-------|
| Cu | 162 |
| Grease lub. | 630 |
| Oil lub. | 850 |
| da(min) | 262 |
| Da(min) | 391.5 |
| Sa(min) | 16 |
| ra(max) | 4 |
| rb(max) | 1.5 |
| e | 0.35 |
| Y2 | 1.95 |
| Y3 | 2.90 |
| Y0 | 1.91 |
| (Refer.)Mass(kg) | 76.2 |